

Evolve Security Products Limited



Tripod Turnstiles

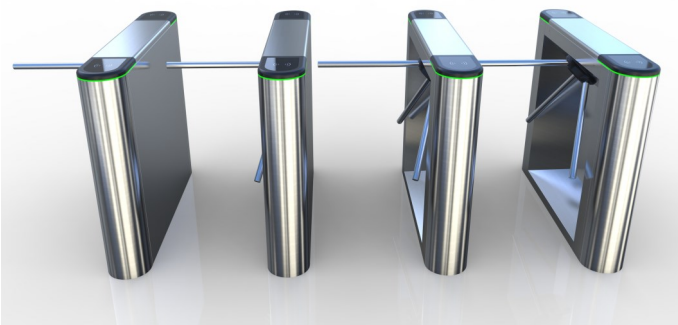
Photos and information in this brochure are for reference only and may not reflect the actual product. Our brochures and product are subject to change without notice.



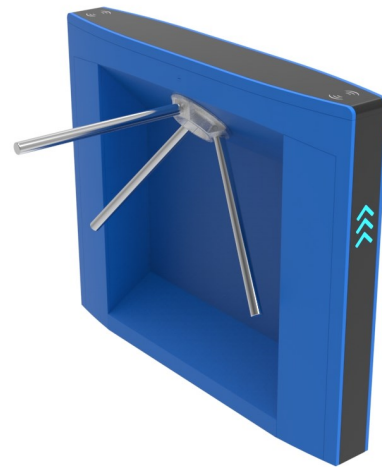
Tripod Turnstiles (TT)

Tripod Turnstiles are designed to efficiently control internal or external pedestrian entrance points. They help security and reception staff manage unauthorised pedestrian entrance or exit to offices, corporate buildings, warehouses, banks, and many other places.

When integrated with an access control management system, tripod turnstiles offer a reliable and efficient means of ensuring only a single visitors or staff member can enter or exit without first presenting and IC, ID card, biometrics reader, making a payment or scanning a QR/barcode code, etc.



Tripod turnstiles can monitor, count, and maintain reliable pedestrian entry points whilst providing a fast, reliable, and easy solution with long-lasting performance in high volume situations. In an emergence situation or on power failure, a drop arm feature allows free entry/exit.



However, the design of tripod turnstiles means they can be climbed over or crawled under and for this reason they should be installed near a staffed security point. They also have a narrow opening which means a pass door or swing gate is required for disable access, bulky items and to meet fire regulations.

Our Solutions

Evolve is dedicated in manufacturing and supplying top of the range, high quality Tripod Turnstiles. Our TT300 range offer the very best of British engineering and design providing cost-effective, fast operating, easy to use, reliable entrance solution for internal or external use in areas where there is a large and constant flow of people.



The TT300 range comes in two types of cabinet standard (TT301) and compact (TT303). The TT301 is a modular construction turnstile build around a robust stainless-steel cabinet housing a motorised drop arm mechanism.

Various end panels, boxed infill panels and variety of different materials for the top are added to create a turnstile that meets all the aesthetic requirements needed for today's corporate environment.



All our turnstiles offer bi-directional entrance control with emergency drop arm providing free passageway in an emergency that automatically right on power up or after an emergency. They can be used internally or externally but if used externally we recommend fitting a shelter to protect users from the elements.

An optional boxed infill panel between the legs of the turnstiles increases security and robustness of the turnstile, concealed integration of the access control readers is also an option.



Our tried-and-tested TD and JX control technology used in all our products enable easy setup of the functions, operating and test modes.

Operation

The TT300 range is compatible with most types of access control ID readers and scanners, including contactless and biometric systems. The working mode for each direction of travel can be easily set to FREE, BARRED or CONTROLLED mode.



The motorised drop arm mechanism provides smooth and silent operation, which automatically adapted to the users' passing speed, guarantees higher reliability, better performance, with less wear and tear and reduced power consumption compared to mechanical versions.



The status LED fitted as standard show from a distance which turnstile is in use and the optional functional LEDs can be fitted to indicate when the turnstile is unlocked. The so called "Go" feature automatically rotates the tripod arm a few degrees forward after a valid badge to visually inform the user that the turnstile is unlocked and ready for use.



The turnstile requires a volt free normally open relay contact closing for not more than 1 second to allow passage. If used as a bi-directional turnstile a separate relay, contact is required for each direction of travel.



The emergency input requires a volt free normally open relay contact closing for more than 3 second to allow the arm to drop. When the emergency input reverts to normally open the hub will rotate allowing the arm to automatically right itself.

Optional relay outputs can be used as counters or passage complete signals for anti-pass back access control.

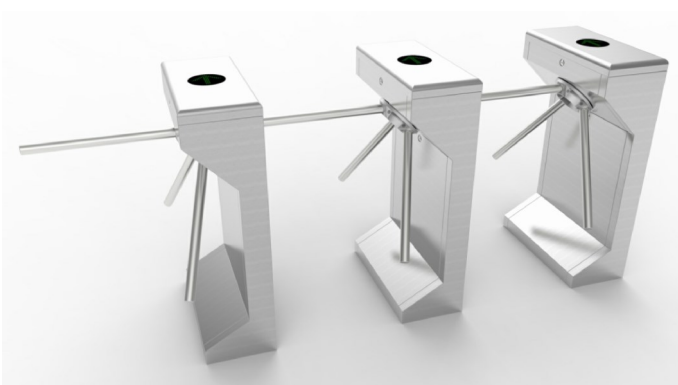


Applications

Tripod turnstile provides a simple yet robust secured entrance-controlled solution for visitor and staff management, preventing them from simply walking into your building. The TT300 is especially suitable for use where high flow rate, reliability and good quality are important priorities.



In most of these applications, the entry point is often staffed by a security guard or receptionist who can monitor the pedestrians passing through.



Typically installed at the entrance of government facilities, financial buildings, offices, educational establishments, industrial facilities, wellbeing facilities, entertainment facilities, points of ticket control, paid access to toilets, sport facilities, construction sites, passenger terminals, railways, airports, and time attendance control points in working places.





TT301

TRIPOD TURNSTILE

Our standard TT301 consists of:-

- Bridged cabinet made from 304 stainless steel, housing a motorised drop arm drive unit.
- 304 stainless steel removable lid.
- 2 No. sloped 80mm, 304 stainless steel end panels.
- 2 No. LED status indicators, one each end.



TECHNICAL SPECIFICATION.

- Power supply: 230V single phase 50/60Hz. 120W
- Operating voltage: 24Vdc.
- Nominal consumption: Max 40 W.
- Operating temperature: —20 to 60°C with optional heater.
- Operating humidity: 0 to 90% RH.
- Flow rate: 20~ 30 passages/minute, depending on access control system and users.
- Motor: - Brushless
- MCBF when respecting recommended maintenance;

SAFETY IN USE

The turnstile arms automatically drop on power failure or activation of the emergency input, when power is restored or when the alarm reverts to normal the arm automatically right itself.

OPERATING MODES.

The TT303 can operate in 9 different work modes:-
1. FREE, in either or both directions.

Our TT301 modular design tripod turnstile offers, cost-effective, fast operating, easy to use, reliable entrance solution for internal or external use in areas where there is a large and constant flow of people.

Its modular construction with different end panels and various tops meet all the aesthetic requirements needed for today's corporate environment.

The turnstile is designed for use in metro stations, railway stations, bus stations, airports, corporate reception areas, factories, hotels, scenic spots, museums, libraries, exhibition centres, stadiums, education facilities and cinema, etc.

Throughput speed is approximately 25~30 people/min, but dependent on the access control system and the speed and type of the users.



TT301 - Data Sheet

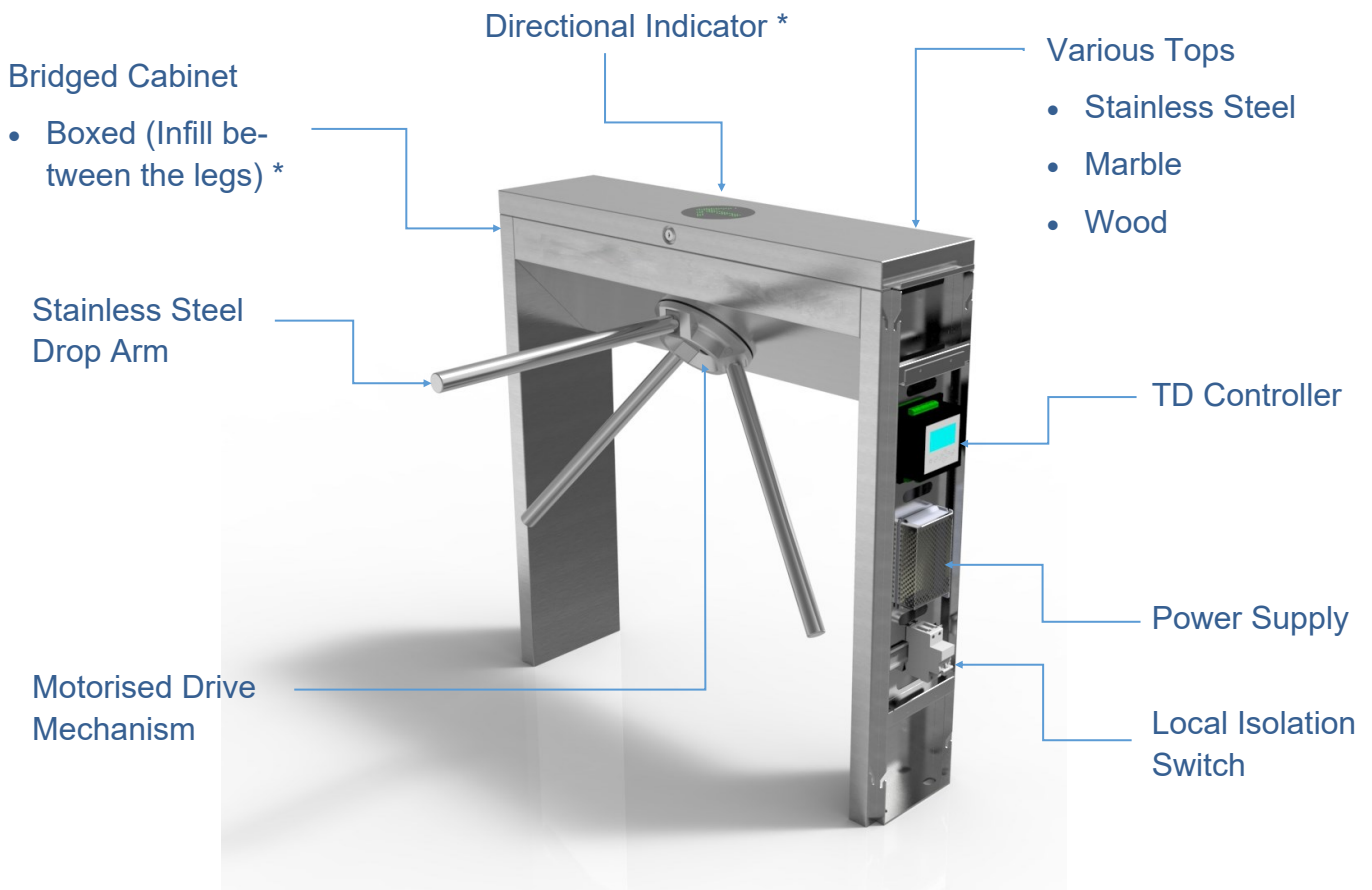
WORK BY OTHERS

- Bolting the units to the floor.
- Electrical supply.
- Cabling to any external peripherals.
- Integration of any accessories.

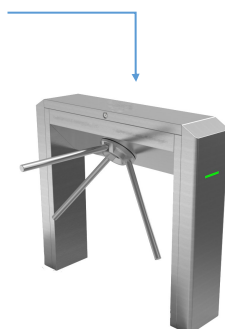
The stainless steel cabinet houses a motorised head mechanism.

SAFETY IN USE

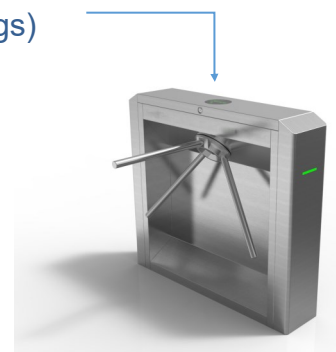
The turnstile arms automatically drop on power failure or activation of the emergency input, when power is restored or when the alarm reverts to



Bridged Cabinet (Standard)



Boxed (Infill between legs)





TT301 - Data Sheet

Stainless Steel



Marble



Wood



Thin



Hex



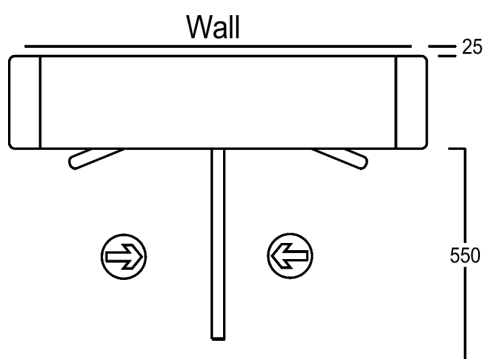
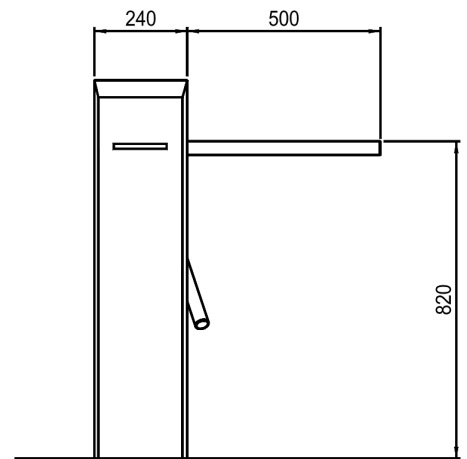
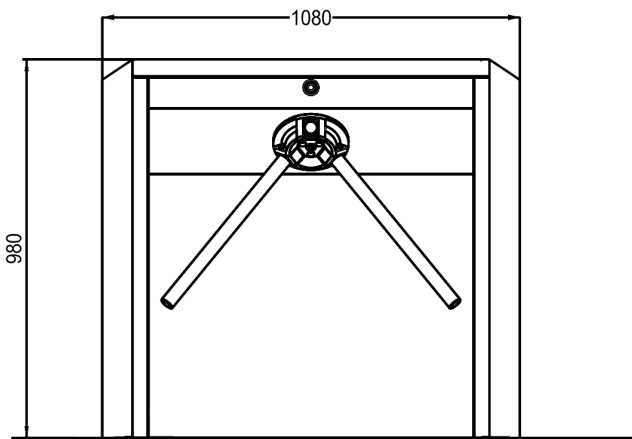
Round



Slopped



Square



UK
CA

CE

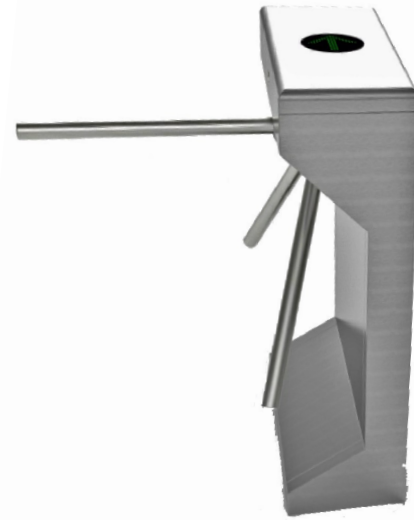




TT303 COMPACT TRIPOD TURNSTILE

ADVANTAGES AT A GLANCE.

- Low cost.
- Drop arm as standard.
- Robust.
- Reliable.
- LED directional indicator.
- User friendly.
- Compact, small footprint.
- Easy to install.



Our TT303 compact motorised drop arm tripod turnstile offers, cost-effective, fast operating, easy to use, reliable entrance solution for internal or external use.

This reliable yet compact turnstile is especially suitable for applications where high flow rate, small footprint and easy installation is required.

Manufactured from high grade 304 stainless steel the TT303 comes with an ultra-reliable motorised drop arm mechanism giving unprecedented years of service.

The motorised drop arm mechanism provides smooth and silent operation, which automatically adapts to the users' passing speed, guarantees higher reliability, better performance, with less wear and tear and reduced power consumption compared to mechanical versions.

After each passage, the barrier arms automatically returned to home position. The arm rotation encoder tracks passage through the turnstile to ensure accurate passage complete outputs for access control or counting systems.

TECHNICAL SPECIFICATION.

- Power supply: 230V single phase 50/60Hz.
- Operating voltage: 24Vdc.
- Nominal consumption: Max 40 W.
- Operating temperature: —20 to 60°C with optional heater.
- Operating humidity: 0 to 90% RH.
- Flow rate: 20~ 30 passages/minute, depending on access control system and users.
- Motor: - Brushless
- MCBF when respecting recommended maintenance;

SAFETY IN USE

The turnstile arms automatically drop on power failure or activation of the emergency input, when power is restores or when the alarm reverts to normal the arm automatically right itself.

OPERATING MODES.

The TT303 can operate in 9 different work modes:-

1. FREE, in either or both directions.



TT303 - Data Sheet

APPLICATION.

- Building Sites.
- Exhibition Centres.
- Museums.
- Tourist Attractions.

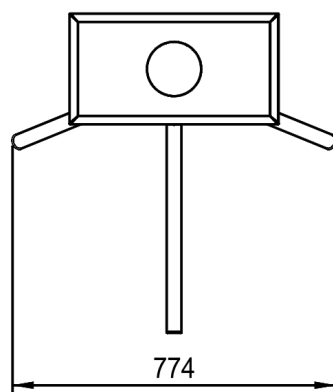
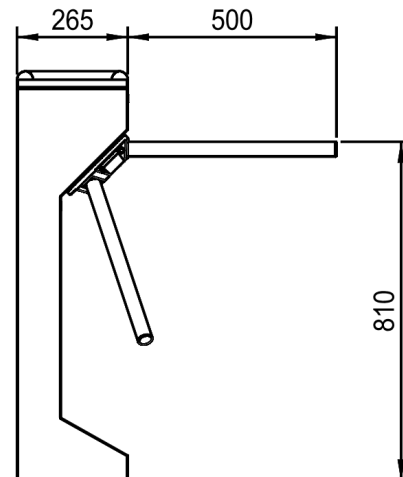
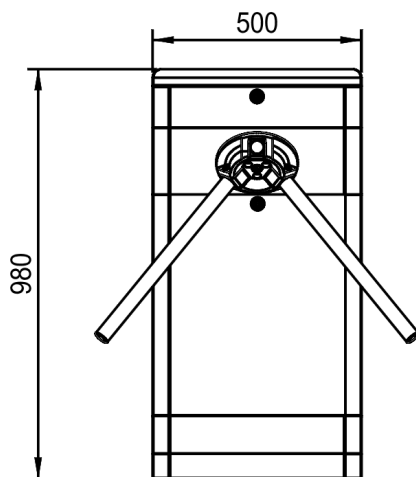
WORK TO BE PROVIDED BY OTHERS.

- All electrical and control cable requirements.
- All ducts, conduits, containment.
- All foundations, bases.

The turnstile is controlled by our tried-and-tested TD and JX control technology which is used in all our products. The TD controller enables easy setup of the functions, operating and test modes and integration with most access control devices such as: card readers, coin/token acceptors, ticketing systems, biometric etc.

DIMENSIONS.

- Length: 580mm.
- Width: 265mm.
- Height: 980mm.
- Arm Length: 500mm.



HOW TO CONTACT US



Evolve Security Products Ltd.

Unit 4, Kenyons Yard,
Weyhill Road,
Andover,
Hampshire.
ENGLAND
SP10 3NP

Telephone:

01264 726412

Web:

www.EvolveSecurityProducts.com

BFT Automation UK Ltd.

Units C2-C3,
The Embankment Business Park,
Vale Road,
Heaton Mersey,
Stockport.
SK4 3G6L

Telephone:

01614 560 456

Web:

www.bftautomationuk.com

Rest Of The World



Evolve Autogate Products Ltd.

Flat C,4/F,Lladro Center , No,. 72 Hoi Yuen Road, Kwun Tong, Kowloon. HONG KONG

Telephone: 00852 35231568

Evolve (ShangHai) Autogate Co.,Ltd.

1212, Building 3, No. 655 Gaoji Road, Sijing Town, Songjiang District, Shanghai. CHINA

Telephone: 021 34692566

Evolve (ShangHai) Autogate Co.,Ltd.

1212, Building 3, No. 655 Gaoji Road, Sijing Town, Songjiang District, Shanghai. CHINA

Telephone: 021 34692566