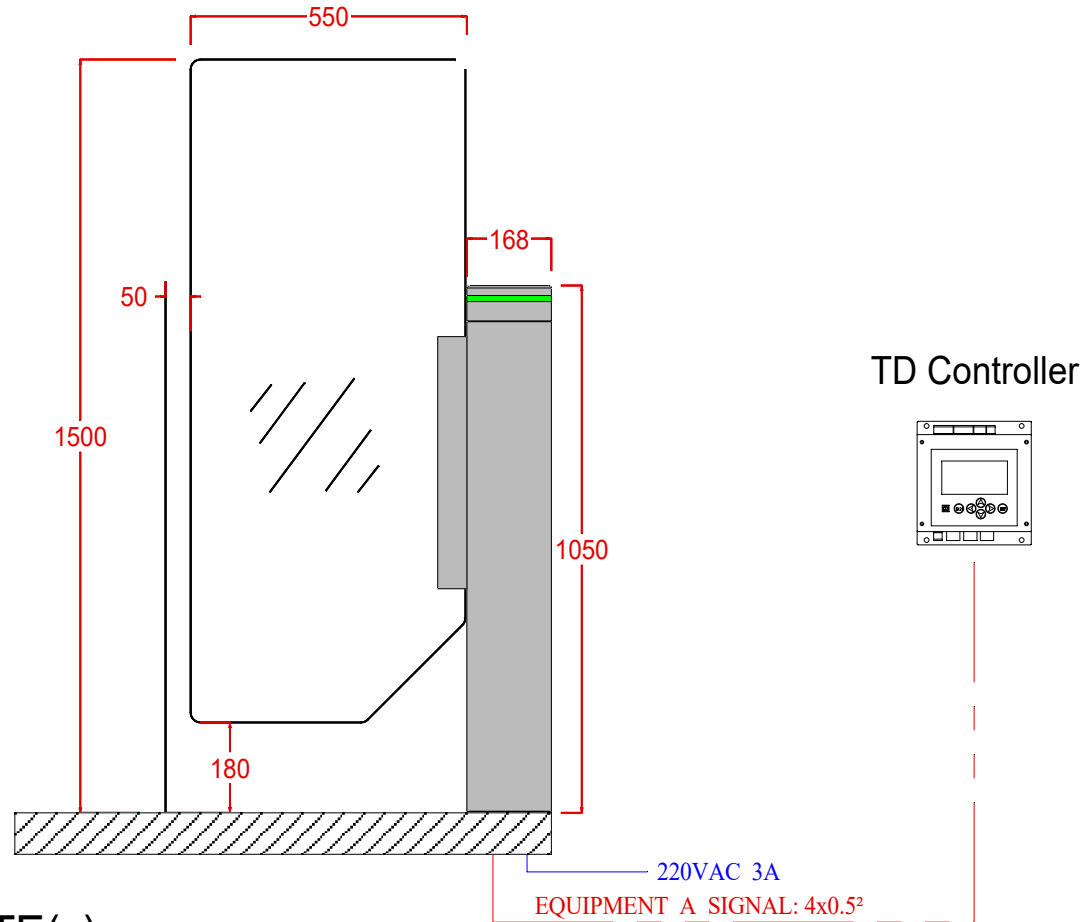


# SWING GATE SG103 - Toughened Glass



## SAFETY NOTE(s)

1. We strongly recommend that a full user risk assessment to BS7036 is carried out at the initial design stage.

DATE	12/02/18	PART NAME	SHEET		1 OF 100	
DRAWN	A Brown	SG103 - Toughened Glass	DWG	DRAWING No.	REV	
CHECKED			B	SG103-000-000	0	
APPROVED			SIZE			
SCALE						