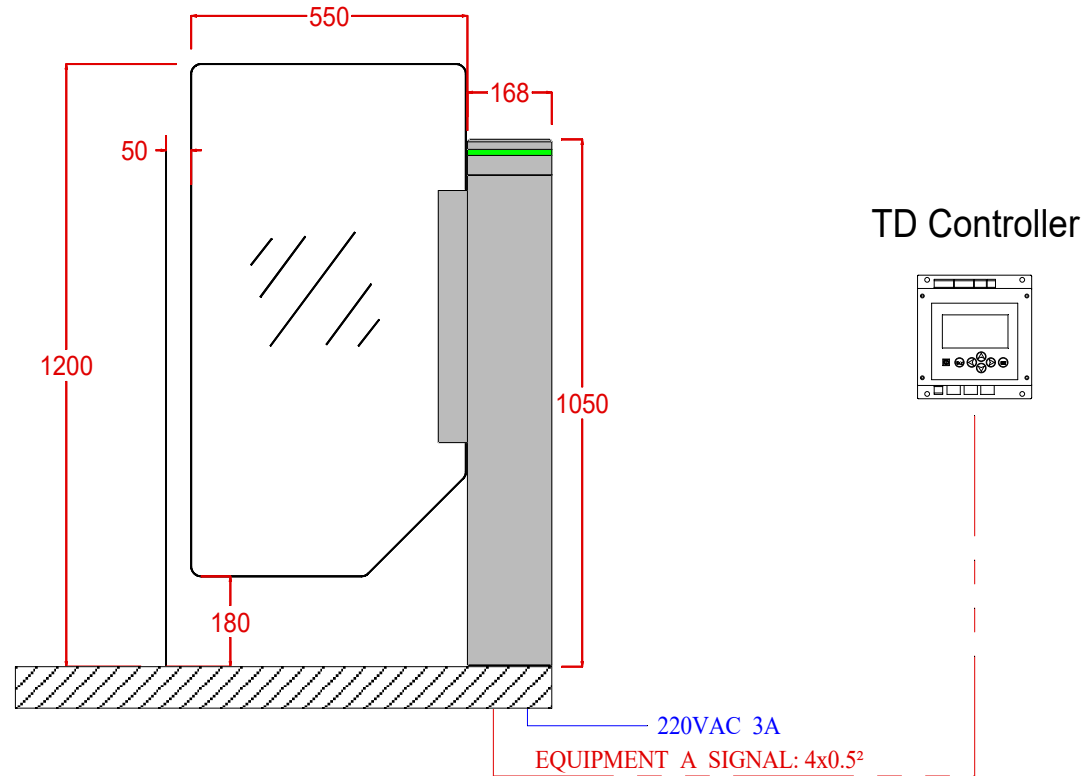


SWING GATE SG102 - Toughened Glass



SAFETY NOTE(s)

1. We strongly recommend that a full user risk assessment to BS7036 is carried out at the initial design stage.

DATE	12/02/18	PART NAME	SHEET	1 OF 100		EVOLVE SECURITY PRODUCTS
DRAWN	A Brown	SG102 - Toughened Glass	DWG	DRAWING No. SG102-000-000	REV	
CHECKED			B		0	
APPROVED			SIZE			
SCALE						