



Empowered by
U-LINK

BOLLARDS

Range of traffic control bollards



Be ahead



U-LINK



The innovative technology that gives you more power

Universal Link is an exclusive Bft platform for creating wireless interconnected systems for control units and receivers

- U-Control: a system developed by Bft Automation to control home automation via smartphone or tablet. The application links with Bft U-link products.
- U-Base 2: a software program created to monitor the operation of an interconnected automation system via U-Link. It simplifies the management allowing the automation settings to be remotely monitored.
- U-SDK: a program which allows Bft products to communicate with Building Management Systems (BMS) via the U-Link platform. With an extremely simple syntax, this software translates external commands into the U-Link language.



RANCH B-C

Fixed bollard

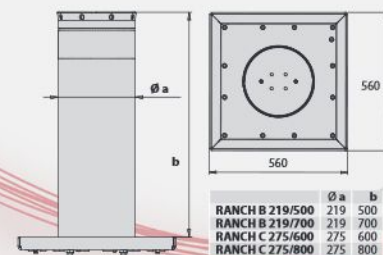
Fixed bollards designed to block an access point or road for a long period of time. The bollards are bolted down and can be installed alongside fully automatic or semi-automatic bollards as an integrated solution in a range of different sizes and types. They are suitable for all types of environment.



RANCH B



RANCH C



SPECIFICATIONS

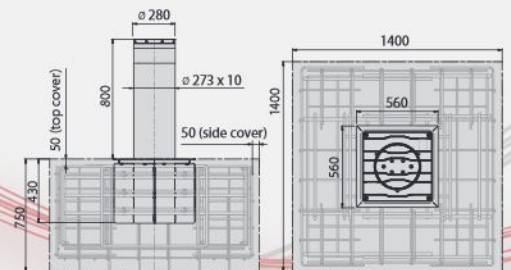
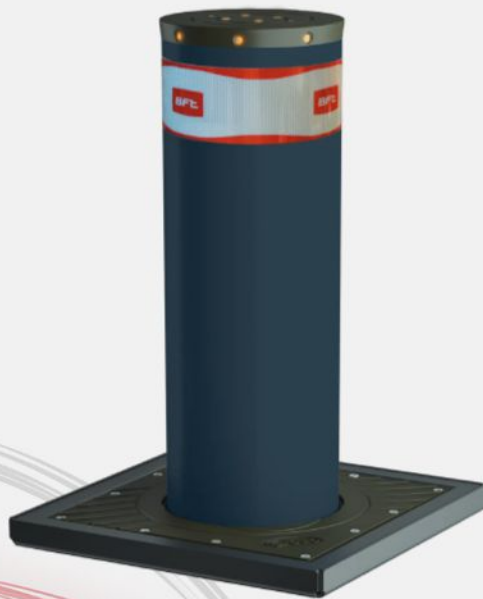
	RANCH B 219/500	RANCH B 219/700	RANCH C 275/600	RANCH C 275/800
Shaft height	500 mm	700 mm	600 mm	800 mm
Shaft diameter	220 mm	220 mm	275 mm	275 mm
Shaft thickness	3 mm	3 mm	6 mm	6 mm
Shaft treatment	cataphoresis	cataphoresis	RAL 7015 painted steel	RAL 7015 painted steel
Breaking resistance	150000 J	150000 J	250000 J	250000 J



RANCH D

Fixed bollard

Fixed bollards suitable for protecting sensitive sites and ideal when used for long-term access prevention. Working with the XPASS automatic anti terror bollard products, the Ranch D can be integrated into a suitable configuration to help provide the required high level of protection for a defined area.



*The metal cage in the figure is not supplied.

SPECIFICATIONS

	RANCH D 275/800 C L	RANCH D 275/800 C LI
Operator type	fixed bollards	fixed bollards
Shaft height	800 mm	800 mm
Shaft diameter	275 mm	275 mm
Shaft thickness	10 mm	10 mm
Shaft treatment	RAL 7015 painted steel and reflective film h: 100 mm	AISI 304 or AISI 316 stainless steel
Break-In resistance	667000 J	667000 J

*if the code contains LI: LI= AISI 304 or AISI 316 stainless steel available on request



DAMPY B

Manual gas bollard

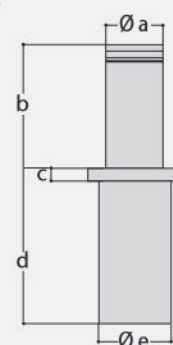
These gas-spring rising bollards are designed to offer road access control with an extremely quick and simple operation. The bollards are operated using special keys, lowered by pushing down and automatically locked into place at the bottom. They can be used in mixed installations to cover wide passages managed by both fixed, electric and gas operated bollards.



DAMPY B Ø115/500
DAMPY B Ø115/500 S/STEEL



DAMPY B Ø219/500-700
DAMPY B Ø219/500-700 S/STEEL



	a	b	c	d	e
DAMPY B 115-500 / DAMPY B 115-500 INOX	115	500	25	593	168
DAMPY B 210-500 / DAMPY B 219-500 INOX	210	500	45	756	273
DAMPY B 210-700 / DAMPY B 219-700 INOX	210	700	45	1016	273

SPECIFICATIONS

	DAMPY B Ø115-500	DAMPY B Ø219-500	DAMPY B Ø219-700
Shaft size	Ø115 mm H: 500 mm	Ø220 mm H: 500 mm	Ø220 mm H: 700 mm
Shaft thickness	4 mm	6 mm	6 mm
Impact resistance	5,000 Joule	10,000 Joule	10,000 Joule
Breaking resistance	30,000 Joule	60,000 Joule	60,000 Joule
Shaft treatment	cataphoresis	cataphoresis	cataphoresis
Shaft movement	with internal gas spring	with internal gas spring	with internal gas spring
Surface finish	grey paint RAL 7015 + rear-reflecting film	grey paint RAL 7015 + rear-reflecting film	grey paint RAL 7015 + rear-reflecting film
Shaft locking	with triangle key	with triangle key	with triangle key



STOPPY-B

Electromechanical bollards

These electromechanical bollards are designed to match customer needs for quality at highly competitive prices. Stoppy B comes in two models: Stoppy B Ø115-500 which has a Ø115 mm, 500 mm high rod and is fitted with a rear-reflecting strip. The Stoppy B Ø200-700, which has a Ø200 mm, 700mm high rod, a light crown and a rear-reflecting strip.

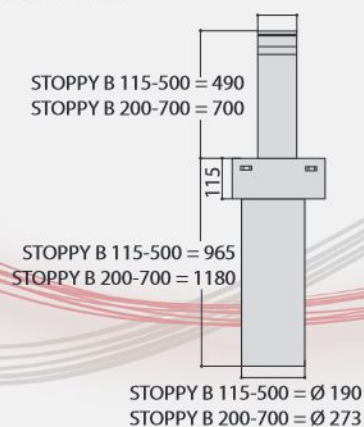


STOPPY B Ø115/500



STOPPY B Ø200/700

- PERSEO CBD dedicated control panel: manages up to 4 bollards in parallel, programming menu on the display, integrated heating element and incorporated receiver.



SPECIFICATIONS

	STOPPY B 115/500	STOPPY B 200/700
Shaft diameter	115 mm	200 mm
Shaft height	500 mm	700 mm
Raising time	7 sec.	9 sec.
Control unit	PERSEO CBD	PERSEO CBD
Breaking resistance	6000J	6000J
Type of limit switch	reed magnetic sensor	reed magnetic sensor
Slowdown	yes	yes
Breaking resistance	6000J	6000J
Lock	electric brake	electric brake
Manual operation	reversible with no power	reversible with no power
Frequency of use	semi-intensive	semi-intensive
Ambient conditions	-20°C +60°C	-20°C +60°C



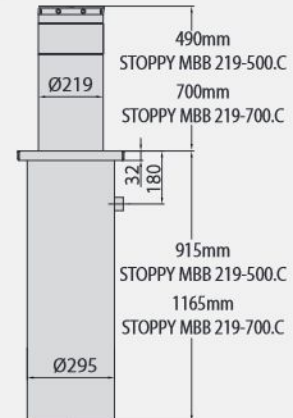
STOPPY-MBB

Electromechanical bollards for intensive use

These electromechanical bollards have an internal oil-bath gear motor which gives them a higher usage capability. Stoppy-MBB is designed to work in the most extreme conditions, thanks to the metal parts being cataphoresis treated, and the new EPDM seal integrated in the flange. The LED light cap fits perfectly into the floor flange with the shaft lowered, drastically reducing the ingress of debris into the casing.



- PERSEO CBD dedicated control panel: manages up to 4 bollards in parallel, programming menu on the display, integrated heating element and incorporated receiver.



SPECIFICATIONS

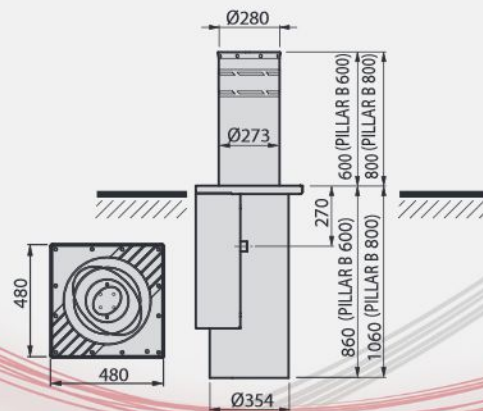
	STOPPY MBB 219/500	STOPPY MBB 219/700
Shaft diameter	219mm	219mm
Shaft height	500 mm	700 mm
Raising time	6 sec.	9 sec.
Control unit	PERSEO CBD	PERSEO CBD
Impact resistance	10,500 Joule	10,500 Joule
Breaking resistance	150,000 Joule	150,000 Joule
Slowdown	yes	yes
Lock	electric brake	electric brake
Manual operation	reversible with no power	reversible with no power
Frequency of use	intensive 1,500 movements/day	intensive 1,500 movements/day
Ambient conditions	- 20° C + 60° C	- 20° C + 60° C
Movement	With slowdown in opening and closing	With slowdown in opening and closing
Supply voltage	230V ± 10% 50/60 Hz	230V ± 10% 50/60 Hz



PILLAR B

Hydraulic bollard

A hydraulic bollard for very intensive use, with a range of different models to suit a number of different application requirements. The security device (SD) version is particularly suitable for sensitive sites such as ministries, airports and other buildings of importance, as the shaft raises in the event of a power failure. The standard version is suitable for public installations where the shaft must lower freeing the passage in the event of a power failure. These bollards have been designed and built with the aim of simplifying maintenance with the hydraulic pump located under the flange.



- PERSEO CBE dedicated control panel: manages up to 4 bollards in parallel, programming menu on the display, integrated heating element and incorporated receiver.

SPECIFICATIONS

	PILLAR B 275/600.6C L	PILLAR B 275/600.6C L/LI SD	PILLAR B 275/800.6C L	PILLAR B 275/800.6C L/LI SD
Voltage	230 V	230 V	230 V	230 V
Shaft height	600mm	600mm	800mm	800mm
Shaft diameter	275	275	275	275
Raising time	5 sec.	5 sec.	6.5 sec.	6.5 sec.
Operator type	hydraulic bollards	hydraulic bollards	hydraulic bollards	hydraulic bollards
Control unit	PERSEO CBD 230.P SD	PERSEO CBD 230.P SD	PERSEO CBD 230.P SD	PERSEO CBD 230.P SD
Breaking resistance	250000J	250000J	250000J	250000J
Frequency of use	3000 Op/day	3000 Op/day	3000 Op/day	3000 Op/day
Type of limit switch	reed magnetic sensor	reed magnetic sensor	reed magnetic sensor	reed magnetic sensor
Impact resistance	20,000 J	20,000 J	20,000 J	20,000 J
Manual operation	reversible with no power	release key	reversible with no power	release key
Ambient conditions	-40°C +60°C	-40°C +60°C	-40°C +60°C	-40°C +60°C



XPASS B 275/800

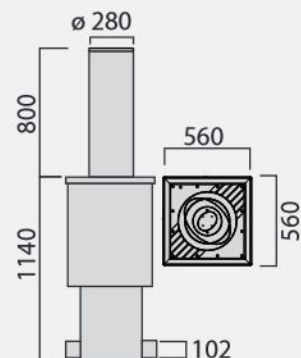
Automatic bollard

Anti-terrorism bollards tested and certified (crash-tested) by an independent body according to standards PAS 68 and IWA14-1 (equivalent to american standard "K4"). Each bollard has an independent pump so that in the event of a control unit failure, the other bollards in the environment remain functional.



Scan the QR code
and watch the
crash test video

XPASS B
275/800



SPECIFICATIONS

	XPASS B 275/800C L	XPASS B 275/800C L LSD
Operator	hydraulic bollard	hydraulic bollard
Voltage	230 V	230 V
Shaft height	800 mm	800 mm
Thickness	10 mm	10 mm
Shaft diameter	275 mm	275 mm
Rising time	7 sec.	7 sec.
Shaft treatment*	RAL 7015 painted steel and reflective film h: 100 mm	RAL 7015 painted steel and reflective film h: 100 mm
Lowering time	4 sec.	4 sec.
Control unit	PERSEO CBE 230.P SD	PERSEO CBE 230.P SD
Break-In resistance	800000J	800000J
Frequency of use	2000 Op/day	2000 Op/day
Antiterrorism reference standard	PAS68:2013 rising bollard V/7500 [N2]/48/90 IWA14-1:2013 rising bollard V/7200 [N2A]/48/90	PAS68:2013 rising bollard V/7500 [N2]/48/90 IWA14-1:2013 rising bollard V/7200 [N2A]/48/90
Type of limit switch	reed magnetic sensor	reed magnetic sensor
Manual operation	reversible with no power	reversible with mechanical key with no power
Ambient conditions	-40°C +60°C	-40°C +60°C

*if the code contains LI: LI= AISI 304 or AISI 316 stainless steel available on request



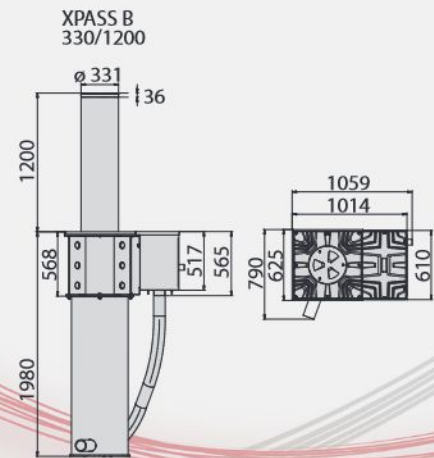
XPASS B 330/1200

Automatic bollard

Anti-terrorism bollard tested and certified (crash-tested) by an independent company according to standards IWA14-1:2013 V/7200(N3C)/80/90 (equivalent to american standard "K12"). Each bollard has an independent pump so that in the event of a control unit failure, the other bollards in the environment remain functional.



Scan the QR code and watch the crash test video



SPECIFICATIONS

	XPASS B 330/1200C L	XPASS 330/1200C L EFO
Operator	hydraulic bollard	hydraulic bollard
Voltage	230 V	230 V
Shaft height	1200 mm	1200 mm
Thickness	25 mm	25 mm
Shaft diameter	330 mm	330 mm
Rising time	max 5.3 sec.	max 5.3 sec. (1.5 sec. for emergency)
Shaft treatment*	RAL 7015 painted steel and reflective film h: 100 mm	RAL 7015 painted steel and reflective film h: 100 mm
Lowering time	4 sec.	4 sec.
Control unit	PERSEO CBE 230.P SD	PERSEO CBE 230.P SD
Break-in resistance	2100000J	2100000J
Frequency of use	2000 Op/day	2000 Op/day
Antiterrorism reference standard	IWA14-1:2013 V/7200(N3C)/80/90	IWA14-1:2013 V/7200(N3C)/80/90
Type of limit switch	reed magnetic sensor	reed magnetic sensor
Manual operation	reversible with mechanical key with no power	reversible with mechanical key with no power
Ambient conditions	-40°C +60°C	-40°C +60°C

*If the code contains LI: LI= AISI 304 or AISI 316 stainless steel available on request

New power in *your* hands.



B-eba expansion cards

B-eba expansion cards plug into U-Link compatible Bft control panels. They enable the user to connect external devices, such as PCs, smartphones and tablets via software and apps. The B-eba cards can connect via Wi-Fi, Bluetooth, TCP/ IP or a RS485 serial connection.



Clonix U-Link receiver

An external two-channel receiver providing a connecting slot for a Blue-Entry B-eba card. The Clonix receiver wires into Bft control panels not equipped with U-Link and control panels by other brands. This allows gates to be opened via a smartphone.

Team up with us: be ahead!

Advanced solutions, with unique, exclusive features. But also simple, accessible, and user-friendly. Cutting edge technologies designed to improve the lives of everyone: both those who install them and those who use them.

This is who we are today: a company focused on the needs of the present, with an eye looking to the future. A professional, people-friendly company, capable of taking its partners by the hand and, thanks to a full access specialist approach, propelling them along at a dynamic pace that will ensure they are always out there in front. A company where the technical component is supported by the power of passion, where engineering expertise is complemented by the brilliance of keen inventiveness. Because we like to listen to you, understand you, address your needs and offer new opportunities; always giving you the best and offering you tools that are increasingly sophisticated, designed to enhance your performances. A fast, smart technology, with its foot always on the accelerator: ensuring you steam ahead at the pace of innovation and that, together with you, it is always one step ahead.



North Branch

Bft Automation UK Ltd
Units C2-C3 The Embankment
Business Park, Vale Road, Heaton
Mersey, Stockport, SK4 3GL

T 0161 456 0456
F 0161 456 9090

South Branch

Bft Automation (South) Ltd
Enterprise House, Murdock Road,
Dorcan, Swindon
SN3 5HY

T 01488 674 750
F 01488 674 790

Ireland Branch

Bft Automation Ltd
Unit D3, City Link Business Park,
Old Naas Road,
Dublin 12

T +353 1 456 4711
F +353 1 450 8337

